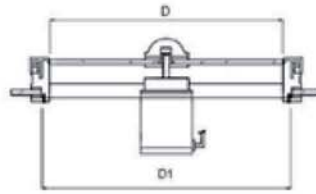


***CLEAR VIEW SCREEN***



## WEATHER-PROOF TYPE

PRODUCT INFORMATION



DIMENSION TABLE (unit: mm)

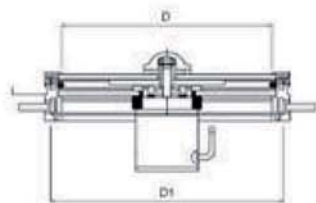
Nominal Size D	Glass Cutting Size D1
250	276
300	326
350	382

Frame Material	Al.-alloy
Motor Output	60W, 80W
Power	AC 110,220V / DC 12,24V
R.P.M	1800 ± 200

- Application: Fixed windows in front of a wheel house.
- Particularity: Secure field of vision in case of rain and snow

## GAS-TIGHT TYPE

PRODUCT INFORMATION

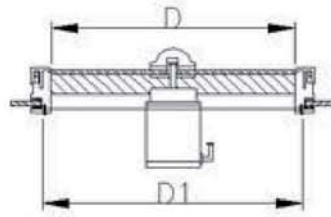


DIMENSION TABLE (unit: mm)

Nominal Size D	Glass Cutting Size D1
250	276
300	326
350	382

Frame Material	Al.-alloy
Motor Output	60W, 80W
Power	AC 110,220V / DC 12,24V
R.P.M	1800 ± 200

- Application: at fixed windows in front of a wheel house.
- Particularity: prevent the formation of dew, frost or fog and an inflow of gas because it is consist of a fixed glass with heater and a rotation glass.



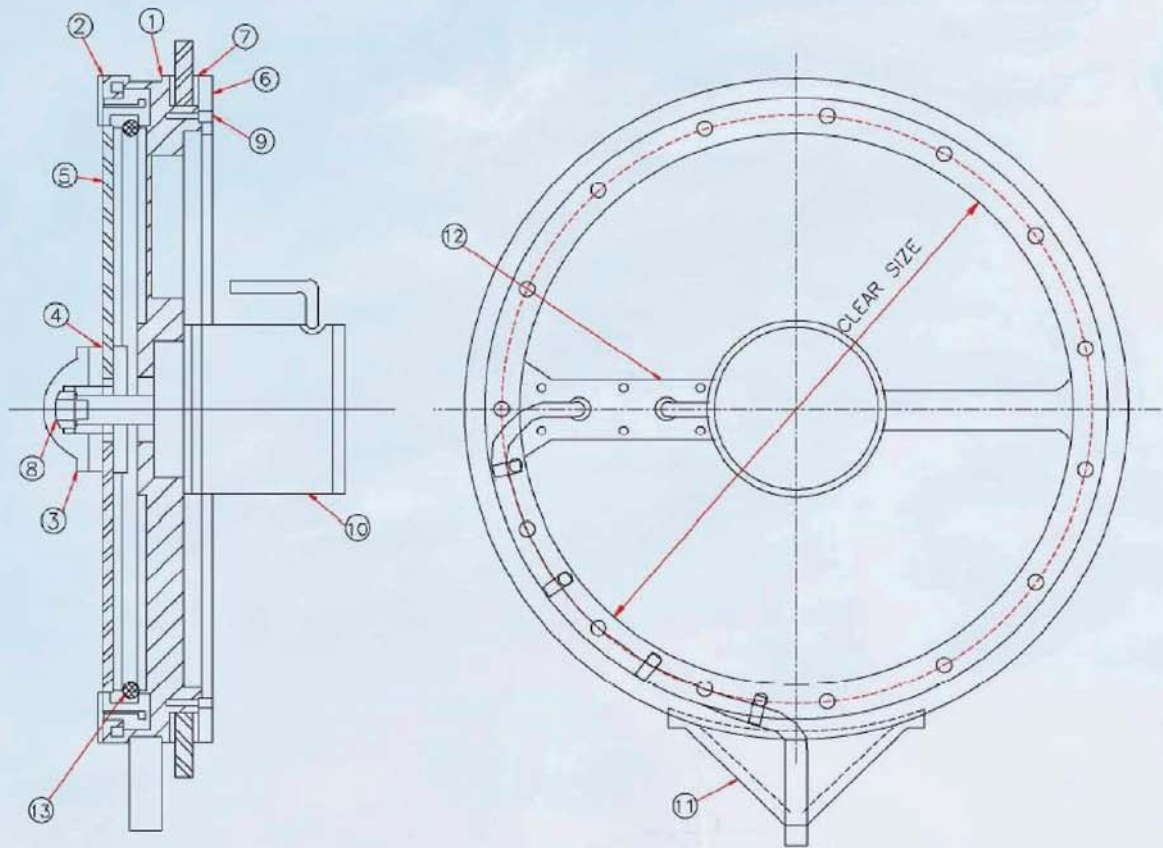
DIMENSION TABLE (unit: mm)

Nominal Size D	Glass Cutting Size D1
250	276
300	326
350	382

Frame Material	Al.-alloy
Motor Output	60W, 80W
Power	AC 110,220V / DC 12,24V
R.P.M	1800 ± 200

- Ventilation: Not allowed
- Uses: LNG, OIL, CHEMICAL VESSEL

# Description of each part



No.	Description
1	Main Frame
2	Screen Frame
3	Cap Nut
4	Screen Holder
5	Screen
6	Frame Keeper
7	Gasket
8	Nut
9	Bolt
10	Motor Unit
11	Drain
12	Cable Cover
13	Heater

# How to installation

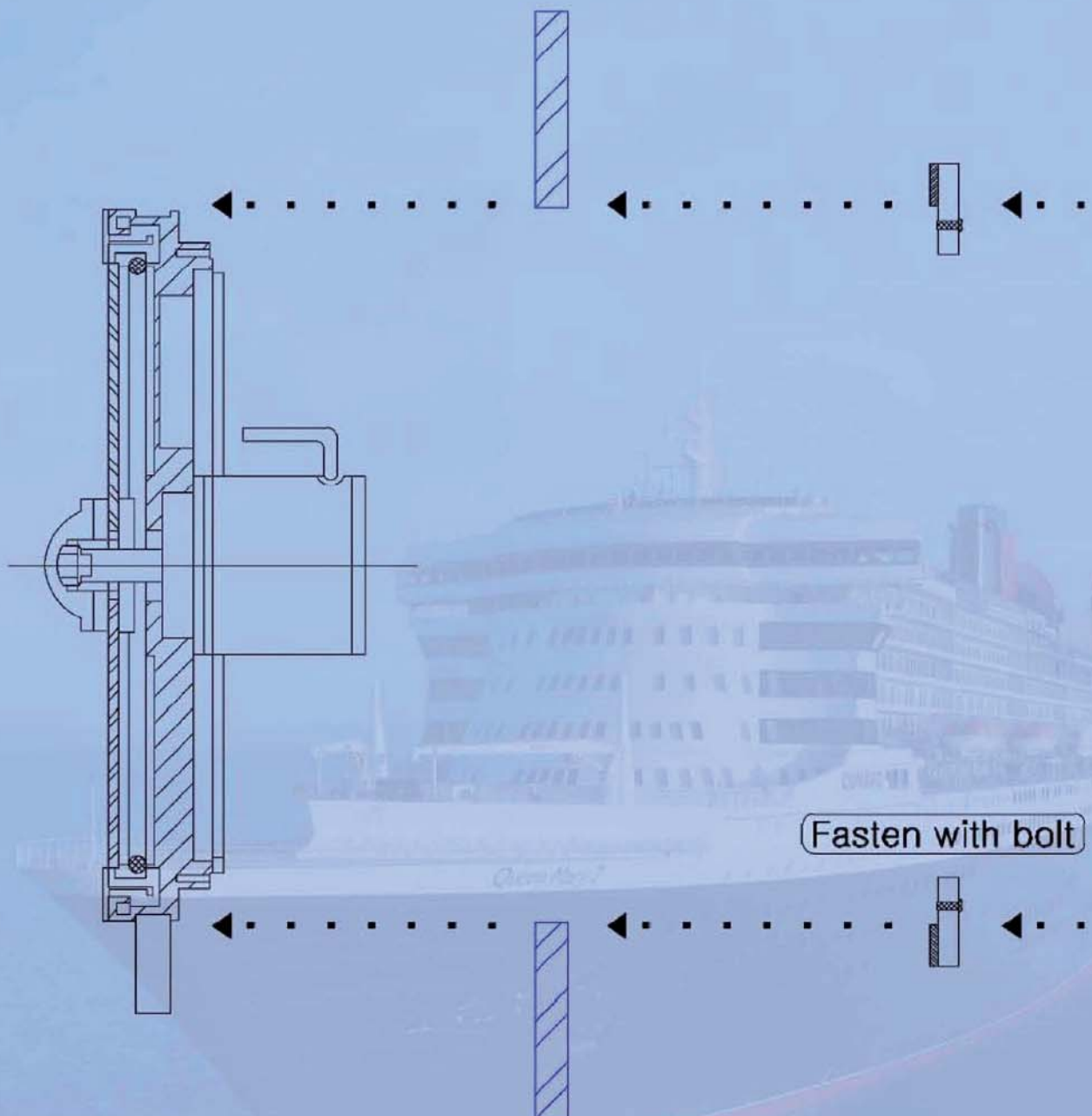
OUTSIDE

INSIDE

① C.V.S

② Glass

③ Frame  
keeper



Fasten with bolt



# Model Specification

## A. Weatherproof Type

Model No.	Clear size	power	Moter Output	Screen Revolution (R.P.M)	Thickness of Revolving Screen glass	Fixed Window glass	weight	Fixed Window Glass cutting size
KW-250-P	250Ø	DC12,24V AC110,220V	60W	1900±200	6mm	8mm≤T≤16mm	ABT.6kg	275±0.5mm
KW-300-P	300Ø	DC12,24V AC110,220V					ABT.7kg	325±0.5mm
KW-350-P	350Ø	DC12,24V AC110,220V	80W	1900±200	6mm	8mm≤T≤29mm	ABT.11kg	382±0.5mm

## B. Heater Type

Model No.	Clear size	power	Moter Output	Heater Output	Screen Revolution (R.P.M)	Thickness of Revolving Screen glass	Fixed Window glass	weight	Fixed Window Glass cutting size
KW-250-H	250Ø	DC12,24V AC110,220V	60W	150W	1900±200	6mm	8mm≤T≤16mm	ABT.6kg	275±0.5mm
KW-300-H	300Ø	DC12,24V AC110,220V		170W				ABT.7kg	325±0.5mm
KW-350-H	350Ø	AC110,220V	80W	200W	1900±200	8mm	8mm≤T≤29mm	ABT.11kg	382±0.5mm

## C. Gas-Tight Type

Model No.	Clear size	power	Moter Output	Heater Output	Screen Revolution (R.P.M)	Thickness of Revolving Screen glass	Fixed Window glass	weight	Fixed Window Glass cutting size
KW-300-H	300Ø	AC110,220V	80W	200W	1900±200	8mm	8mm≤T≤29mm	ABT.11kg	325±0.5mm
KW-350-H	350Ø	AC110,220V	80W	200W	1900±200	8mm	8mm≤T≤29mm	ABT.11kg	382±0.5mm